

APPLICATIONS

- Self-service merchandiser for packaged bread and rolls
- Prep counter with pull out cutting boards

STANDARD FEATURES

CABINET CONSTRUCTION

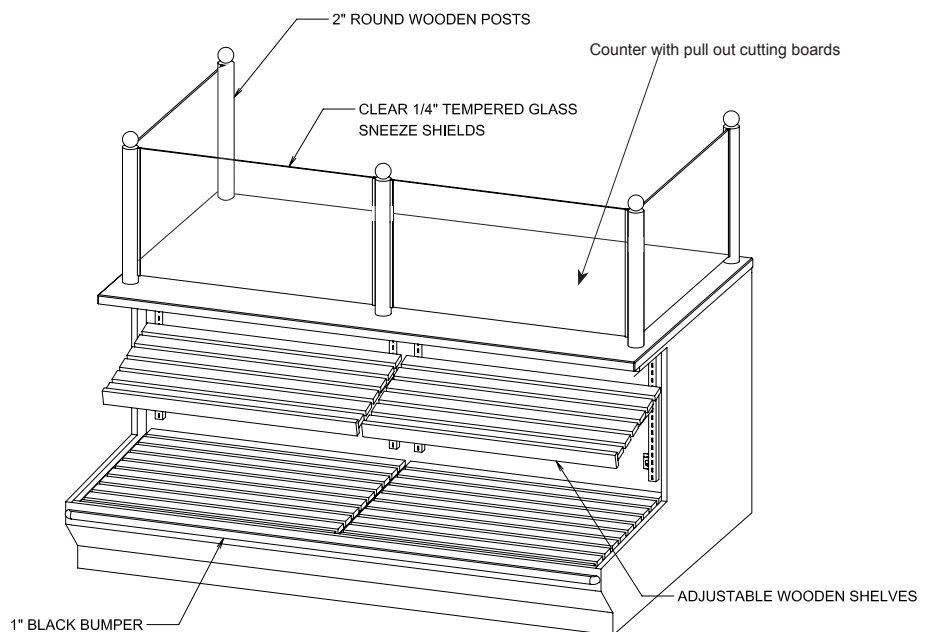
- Cabinet and countertop to consist of 3/4" plywood panels finished in high pressure plastic laminate.
- Sneeze guard consists of 2" round wood posts topped with balls and 1/4" thick tempered straight glass.
- The prep counter has open storage underneath plus pull out cutting boards.
- 1 row of protective 1" vinyl bumpers.
- 3" high toe-kick base.
- Fixture is designed to NEC, UL and NSF standards.

SHELVING

- 2" oak wood slat shelves.
- Full height shelf support pilasters with slotted holes on 1" centers for vertical shelf adjustments.
- Brackets allow shelf to be adjusted to 3 different angles to increase visibility.
- All hardware is powder coated.

OPTIONS / ACCESSORIES

- Countertop available in stainless steel, solid surface or quartz engineered stone.
- Assorted colors available for countertop, laminate, vinyl bumper, powder coat and wood stain.
- Mirrored interior back wall.
- Curved tempered glass sneeze guard.

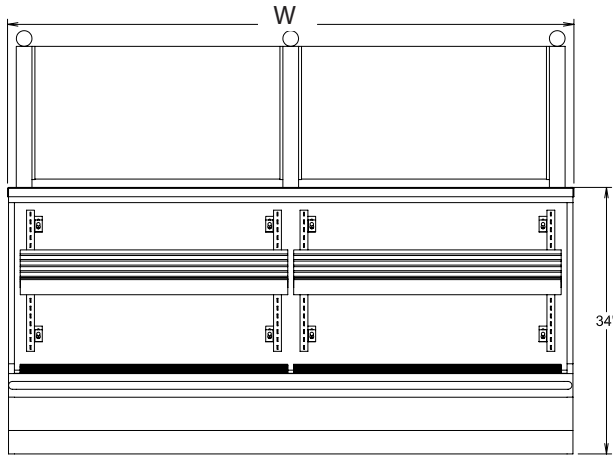


Engineered for stores with ambient conditions not to exceed 75°F and 55% relative humidity. Due to continuous improvements specifications may change without notice.

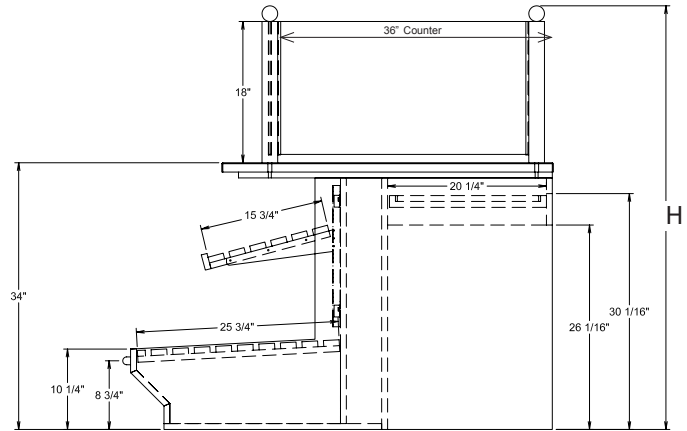
Built to meet the following specifications:



LINE DRAWINGS BASED ON A 6' MODEL

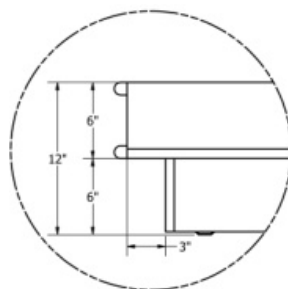


Front View



Side View

Artisan Inline Bread Merchandiser	Dimensions (inches)		
	W	D	H
4' - AR-BR-MR-4	48	54-3/4	54
6' - AR-BR-MR-6	72	54-3/4	54



BASE OPTION

