

Project: \_\_\_\_\_

Date: \_\_\_\_\_

Specified Voltage: \_\_\_\_\_

## PLANETARY MIXERS

### PL20CNVF

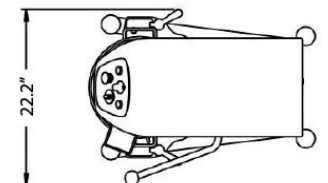
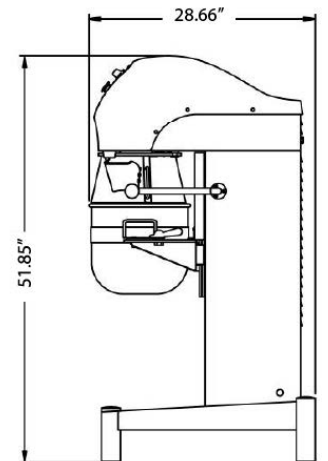
- 1 stainless steel bowl 20 L
- 1 whisk with fine stainless steel wires
- 1 beater in stainless steel
- 1 hook in stainless steel
- Body in epoxy painted steel grey color
- Timer
- Power: 1,1 kW
- Motors and Electrical Equipment Compliant. With the UL/CSA Regulation
- Fixed rotating plastic safety guard
- Stainless steel grid safety guard PL20 (for non-EU countries only)
- Speed: Variable
- Control Panel: Electromechanical
- Bowl Lift: Manual
- Voltage (V/PH/Hz): 208 - 220/1/1 - 60



Stainless Steel Grid



Control Panel



Whisk



Beater



Hook



Spiral



Bowl