

Project: _____

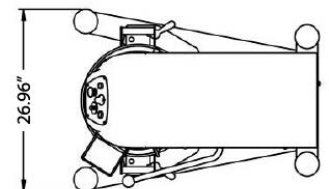
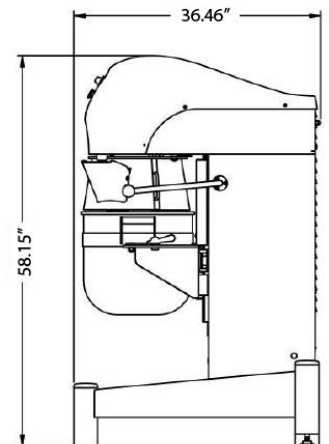
Date: _____

Specified Voltage: _____

PLANETARY MIXERS

PL40NVF

- 1 stainless steel bowl 40 L
- 1 whisk with fine stainless steel wires
- 1 beater in stainless steel
- 1 hook in stainless steel
- 1 scraper in stainless steel
- Body in epoxy painted steel grey color
- Timer
- Power: 2,2 kW
- Motors and Electrical Equipment Compliant. With the UL/CSA Regulation
- Fixed rotating plastic safety guard
- Stainless steel grid safety guard PL40 (for non-EU countries only)
- Speed: Variable
- Control Panel: Electromechanical
- Bowl Lift: Manual
- Voltage (V/PH/Hz): 208 - 220/1/1 - 60



Scraper Attachment



Stainless Steel Grid



Control Panel



Scraper



Whisk



Beater



Hook



Spiral



Bowl